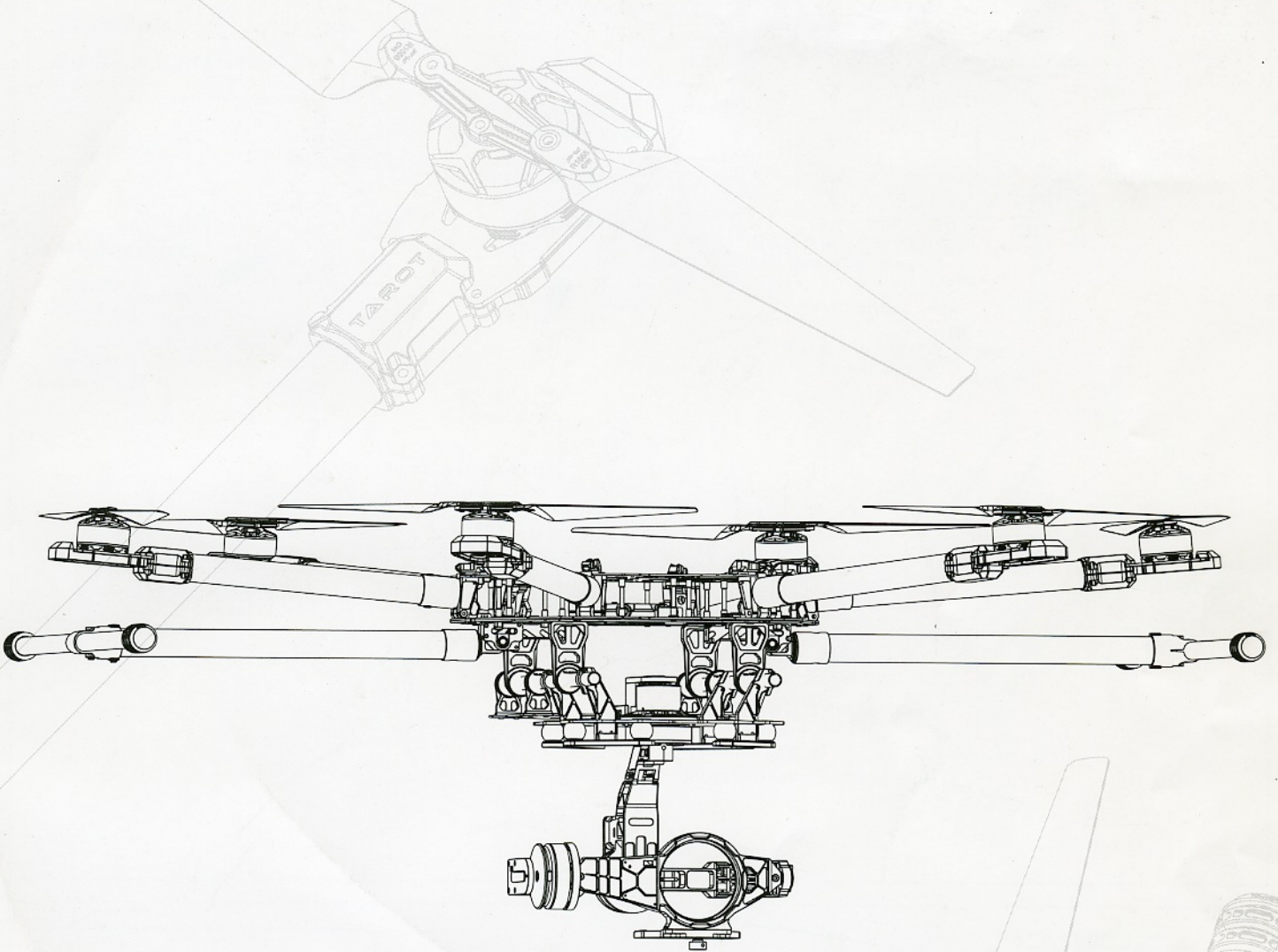
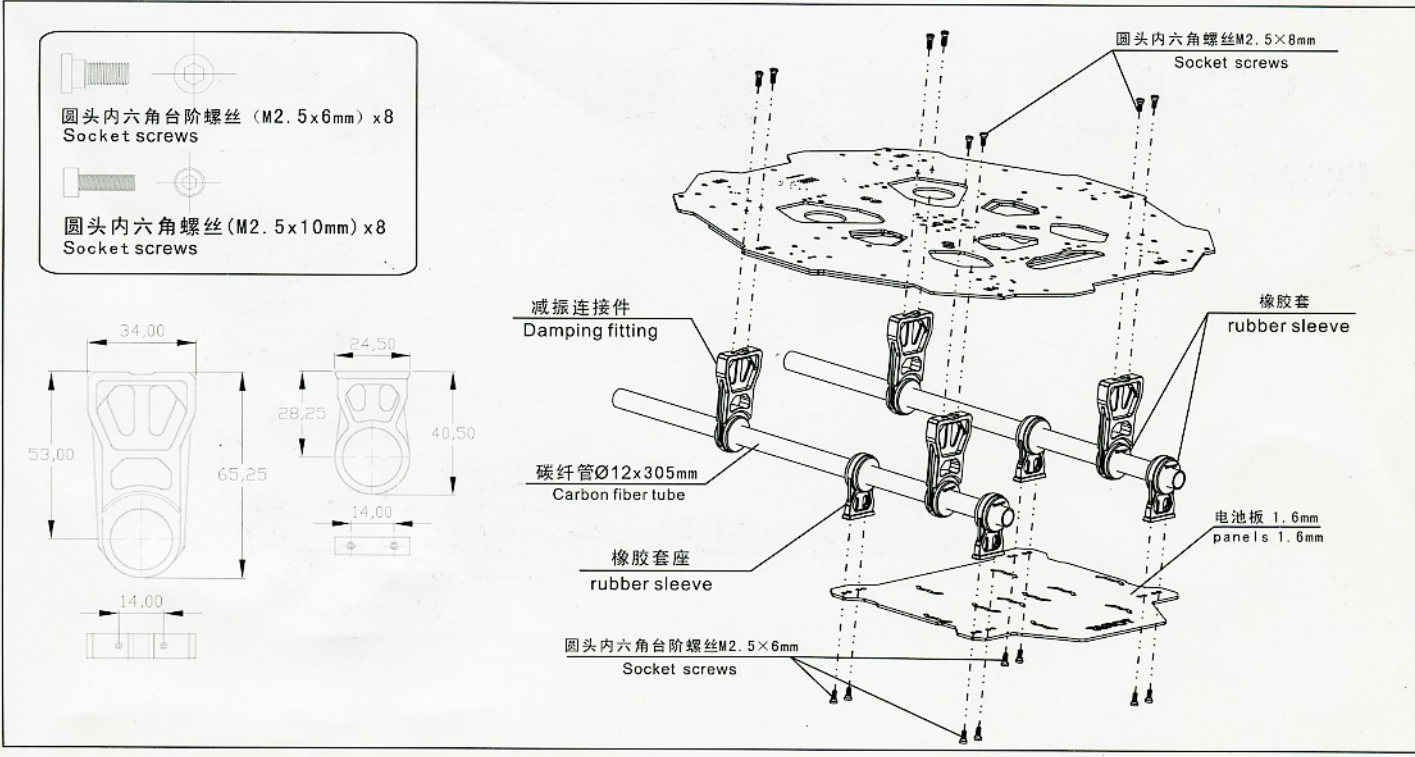
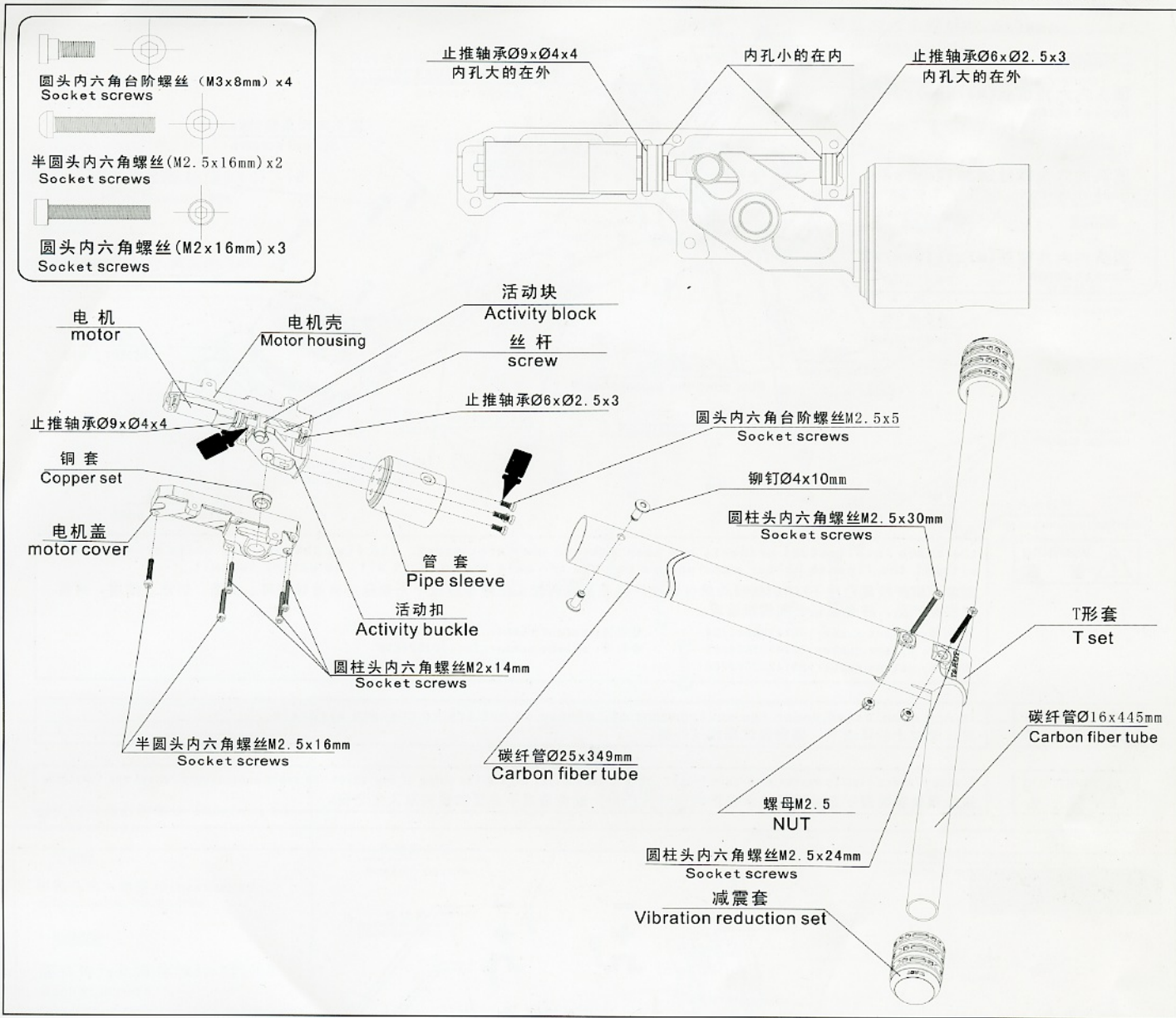


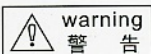
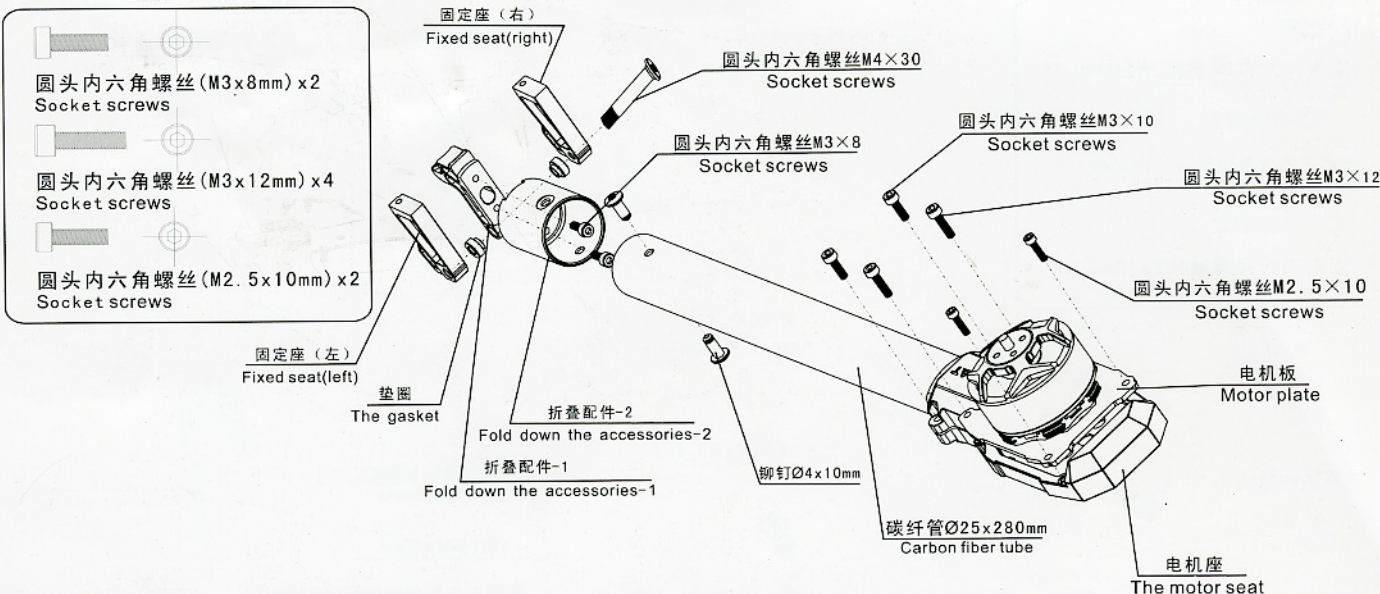
TAROT

X6



WWW.0577MX.COM





the state intellectual property has been awarded the tarot model., ltd five patents. any units or individual without the license holder manufacture coy use and sale the product will be patent lawsuit.

国家知识产权局已授予TAROT航模有限公司此产品五项专利权。任何单位或个人未经持有授权许可，制造、仿造、使用、销售侵权此产品，将会面临专利侵权诉讼。

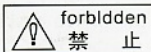
专利号: patent number: 2014301541104

专利号: patent number: 2014302624231

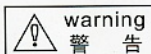
专利号: patent number: 2014302624585

专利号: patent number: 2014302624299

专利号: patent number: 2014302583208

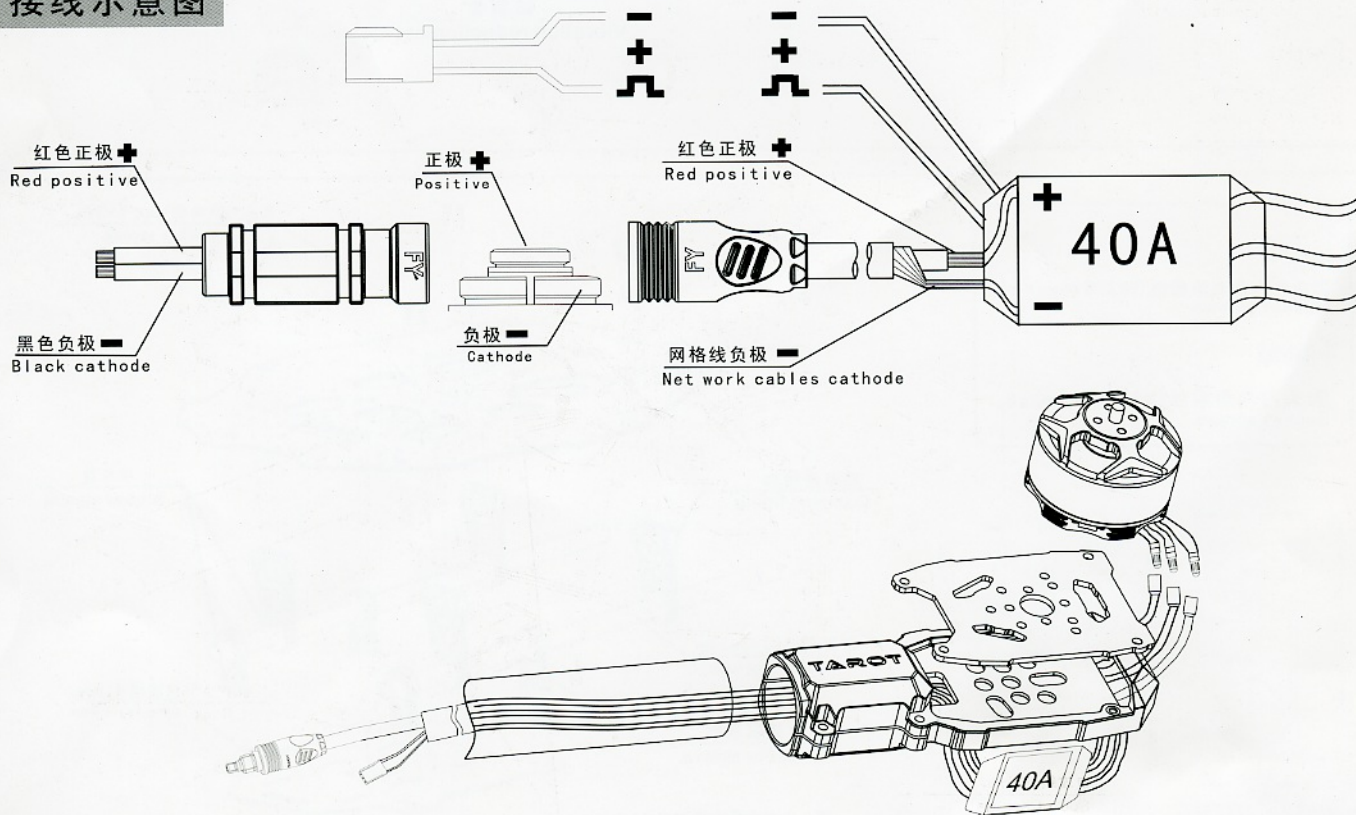


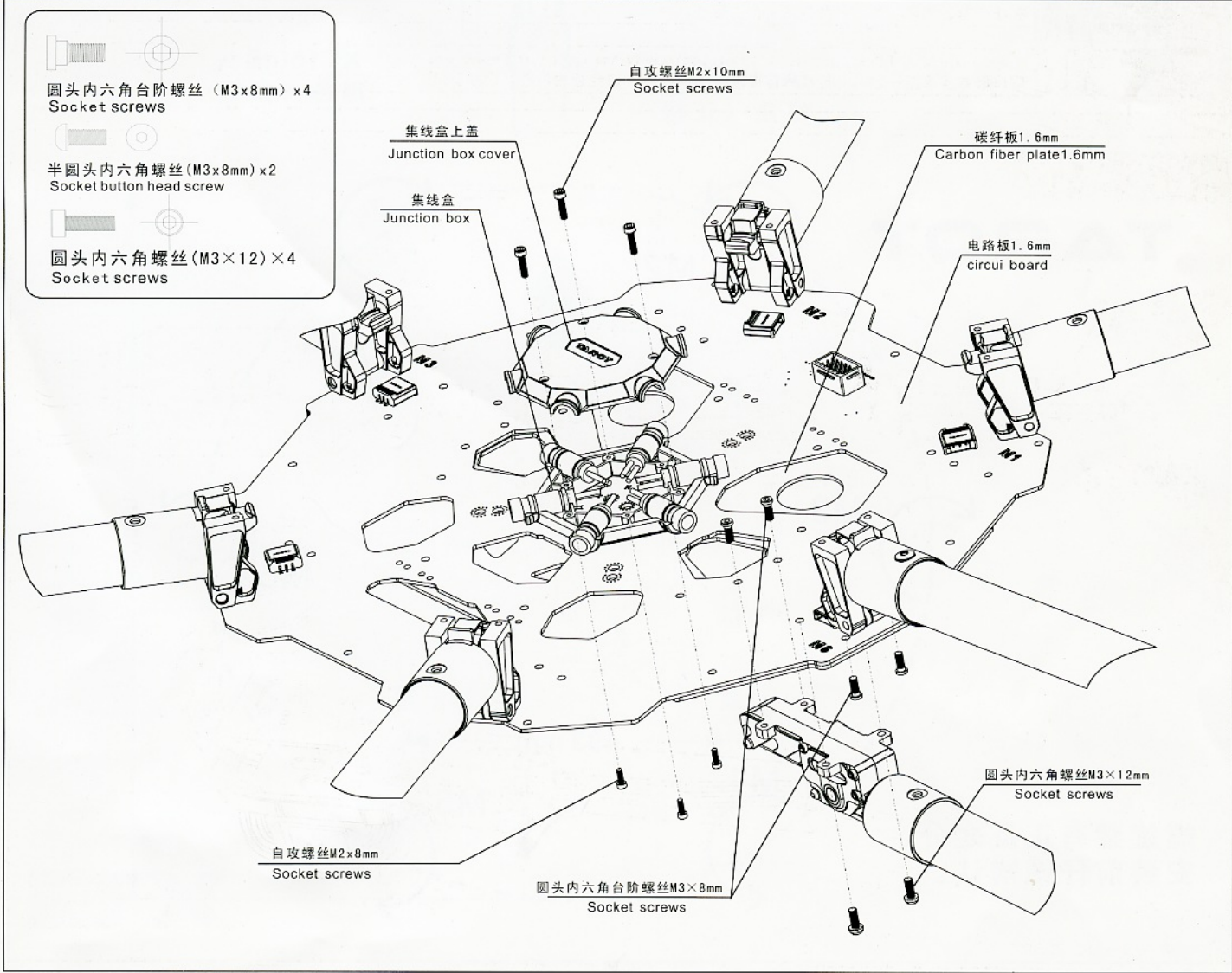
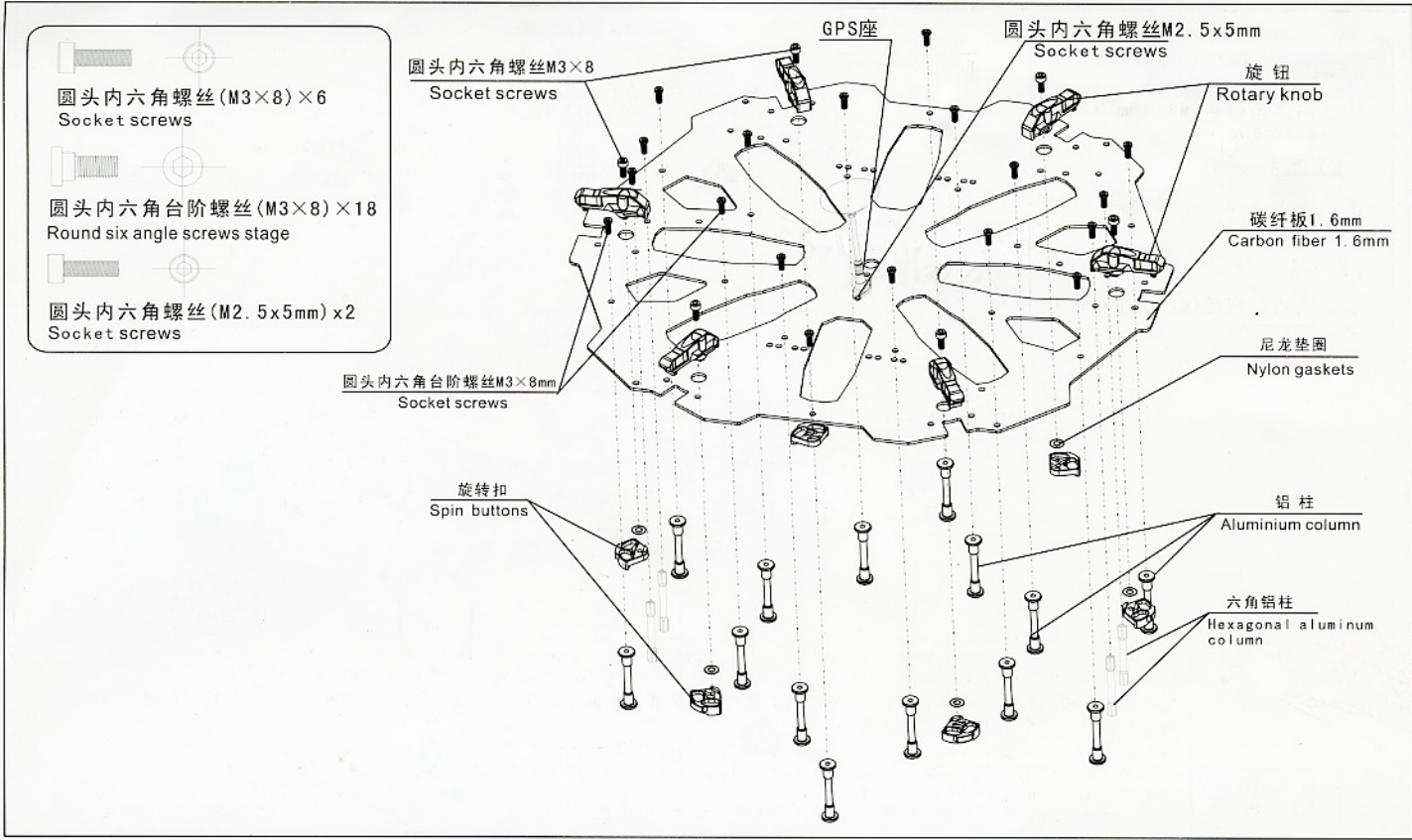
In any prohibited under the environment of, please do not try to operate aircraft.
在任何禁止的环境下，请勿尝试操作飞行器。



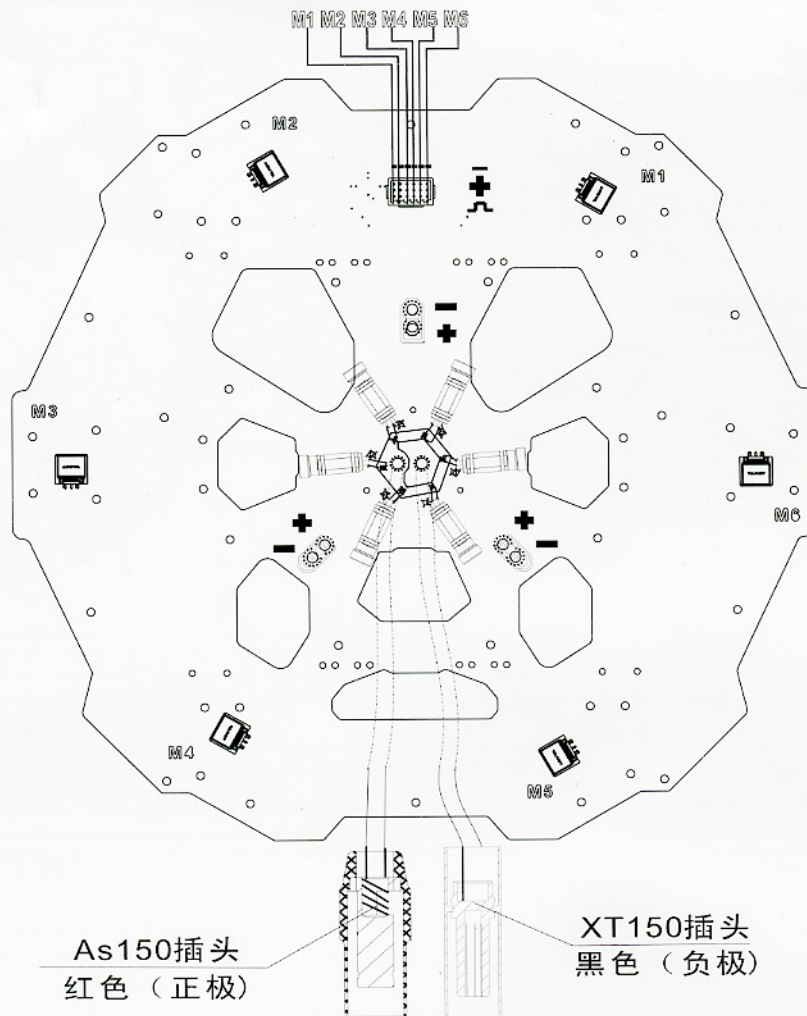
Please players need to master a certain flight vehicle technology within the scope of operation, to avoid unnecessary losses and full life.
请玩家需要掌握一定的飞行技术范围内操作飞行器，避免造成不必要的损失及人生安全。

接线示意图





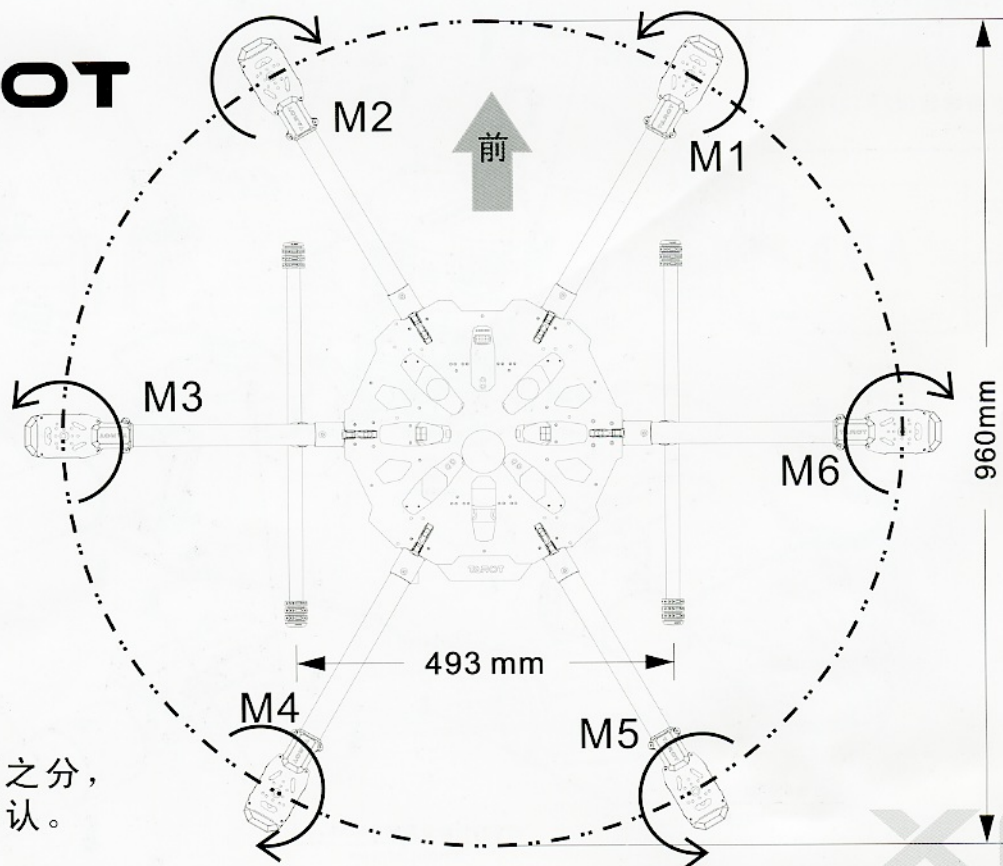
焊接配件示意图



CAUTION
注意

要求各处
焊点无虚焊

TAROT



螺旋桨有正反之分，
安装前仔细辨认。

X6